

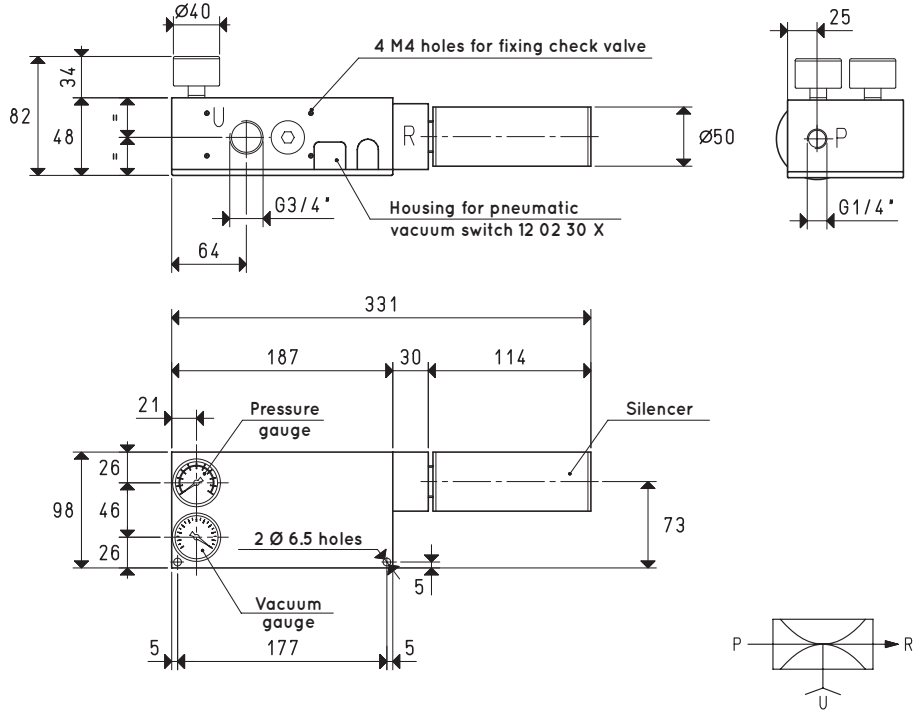
# MULTI-STAGE VACUUM GENERATORS PVP 25 MDX / MDXLP ÷ PVP 75 MDX / MDXLP



3D drawings are available on vuototecnica.net

This line of generators is available with suction rates between 20 and 103 m<sup>3</sup>/h. The supply pressure goes from 4-6 bar for MDX items and from 1-3 bar for MDXLP items. The maximum level of vacuum is -90 KPa. Characterised by their new generation of ejectors, boasting an excellent ratio between the quantity of air consumed and that suctioned, benefiting operational consumption. They are fully made with anodised aluminium, with stainless steel ejectors and screws. The tightness seal is made from EPDM, while the reed valves are made as standard and in FKM, upon request. The "free-flow" SSX high sound damping silencers installed as standard on the air exhaust.

They are equipped with additional threaded connections for increased points of usage or for the installation of measurement or control tools. Upon request, can be supplied with a compressed air energy savings kit ES (ENERGY SAVING SYSTEM), composed of a pneumatic vacuum regulator, a pneumatic coaxial shutter supply valve, a check valve and necessary tubing.



|  |                   | P=COMPRESSED AIR CONNECTION |     |            | R=EXHAUST          |     |            | U=VACUUM CONNECTION |     |            |
|--|-------------------|-----------------------------|-----|------------|--------------------|-----|------------|---------------------|-----|------------|
| Item                                   |                   | PVP 25 MDX                  |     |            | PVP 35 MDX         |     |            | PVP 50 MDX          |     |            |
| Intake air flow rate                   | m <sup>3</sup> /h | 35                          | 39  | 43         | 47                 | 52  | 57         | 57                  | 62  | 68         |
| Maximum level of vacuum                | -KPa              | 65                          | 82  | 90         | 65                 | 82  | 90         | 65                  | 82  | 90         |
| Final pressure                         | abs. mbar         | 350                         | 180 | 100        | 350                | 180 | 100        | 350                 | 180 | 100        |
| Supply pressure                        | bar               | 4                           | 5   | 6          | 4                  | 5   | 6          | 4                   | 5   | 6          |
| Optimal supply pressure                | bar               |                             |     | 6          |                    |     | 6          |                     |     | 6          |
| Air consumption                        | NI/s              | 2.3                         | 2.8 | 3.2        | 3.4                | 4.1 | 4.8        | 4.7                 | 5.6 | 6.5        |
| Temperature of use                     | °C                |                             |     | -20 / +80  |                    |     | -20 / +80  |                     |     | -20 / +80  |
| Noise level at optimal supply pressure | dB(A)             |                             |     | 58         |                    |     | 58         |                     |     | 60         |
| Weight                                 | Kg                |                             |     | 1.71       |                    |     | 1.73       |                     |     | 1.75       |
| Item                                   |                   | PVP 25 MDXLP                |     |            | PVP 35 MDXLP       |     |            | PVP 50 MDXLP        |     |            |
| Intake air flow rate                   | m <sup>3</sup> /h | 20                          | 28  | 35         | 26                 | 38  | 47         | 31                  | 48  | 58         |
| Maximum level of vacuum                | -KPa              | 30                          | 64  | 88         | 30                 | 64  | 88         | 30                  | 64  | 88         |
| Final pressure                         | abs. mbar         | 700                         | 360 | 120        | 700                | 360 | 120        | 700                 | 360 | 120        |
| Supply pressure                        | bar               | 1                           | 2   | 3          | 1                  | 2   | 3          | 1                   | 2   | 3          |
| Optimal supply pressure                | bar               |                             |     | 3          |                    |     | 3          |                     |     | 3          |
| Air consumption                        | NI/s              | 2.2                         | 3.3 | 4.4        | 3.4                | 5.0 | 6.5        | 4.5                 | 6.6 | 8.6        |
| Temperature of use                     | °C                |                             |     | -20 / +100 |                    |     | -20 / +100 |                     |     | -20 / +100 |
| Noise level at optimal supply pressure | dB(A)             |                             |     | 62         |                    |     | 68         |                     |     | 74         |
| Weight                                 | Kg                |                             |     | 1.71       |                    |     | 1.73       |                     |     | 1.75       |
| Spare parts                            |                   | PVP 25 MDX / MDXLP          |     |            | PVP 35 MDX / MDXLP |     |            | PVP 50 MDX / MDXLP  |     |            |
| Sealing kit and reed valves            | item              | 00 KIT PVP 25 MDX           |     |            | 00 KIT PVP 35 MDX  |     |            | 00 KIT PVP 50 MDX   |     |            |
| Vacuum gauge                           | item              | 09 03 15                    |     |            | 09 03 15           |     |            | 09 03 15            |     |            |
| Pressure gauge                         | item              | 09 03 25                    |     |            | 09 03 25           |     |            | 09 03 25            |     |            |
| Silencer                               | item              | SSX 3/4"                    |     |            | SSX 3/4"           |     |            | SSX 3/4"            |     |            |

Note: All vacuum values indicated in the table are valid at the normal atmospheric pressure of 1013 mbar and obtained with a constant supply pressure.

Vacuum generator supply must be carried out with non-lubricated compressed air, 5 micron filtration, in accordance with standard ISO 8573-1 class 4.

Transformation ratio: N (newton) = Kg x 9.81 (force of gravity)

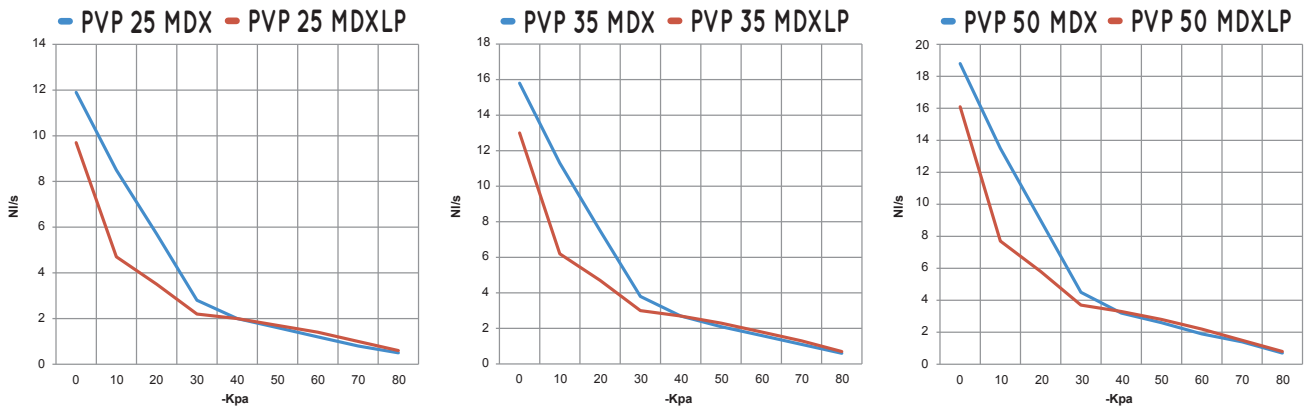
inch =  $\frac{mm}{25.4}$ ; pounds =  $\frac{g}{453.6} = \frac{Kg}{0.4536}$

Adapters for GAS - NPT threading available on page 1.130



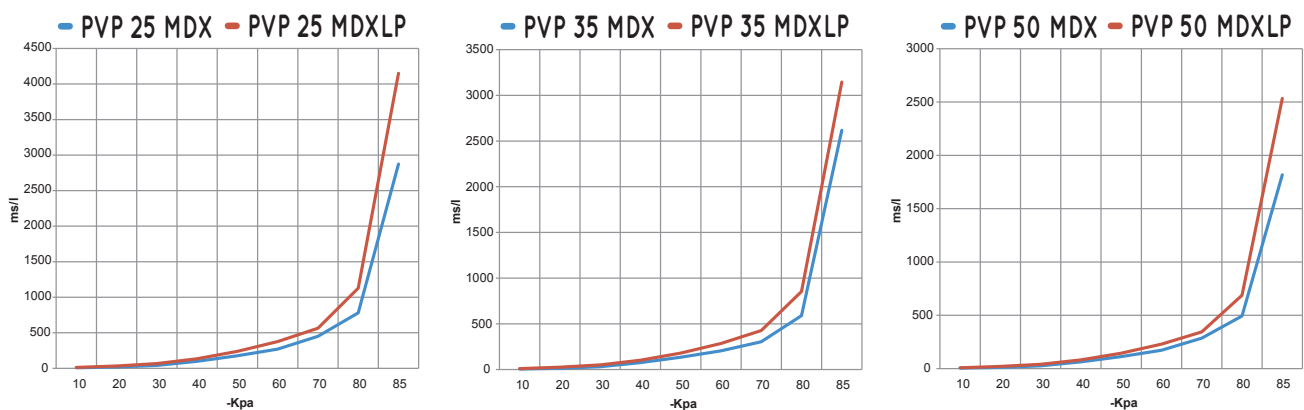
# MULTI-STAGE VACUUM GENERATORS PVP 25 MDX / MDXLP, PVP 35 MDX / MDXLP and PVP 50 MDX / MDXLP

Air flow rate (NI/s) at different levels of vacuums (-KPa) at optimal supply pressure



| Generator item | Supp. press. bar | Air consumption NI/s | Air flow rate (NI/s) at different levels of vacuum (-KPa) at optimal supply pressure |      |     |     |     |     |     |     |     |    | Max vacuum -KPa |
|----------------|------------------|----------------------|--|------|-----|-----|-----|-----|-----|-----|-----|----|-----------------|
|                |                  |                      | 0  | 10   | 20  | 30  | 40  | 50  | 60  | 70  | 80  |    |                 |
| PVP 25 MDX     | 6.0              | 3.2                  | 11.9   | 8.5  | 5.7 | 2.8 | 2.0 | 1.6 | 1.2 | 0.8 | 0.5 | 90 |                 |
| PVP 35 MDX     | 6.0              | 4.8                  | 15.8   | 11.3 | 7.5 | 3.8 | 2.7 | 2.1 | 1.6 | 1.1 | 0.6 | 90 |                 |
| PVP 50 MDX     | 6.0              | 6.5                  | 18.8   | 13.5 | 9.0 | 4.5 | 3.2 | 2.6 | 1.9 | 1.4 | 0.7 | 90 |                 |
| PVP 25 MDXLP   | 3.0              | 4.4                  | 9.7  | 4.7  | 3.5 | 2.2 | 2.0 | 1.7 | 1.4 | 1.0 | 0.6 | 88 |                 |
| PVP 35 MDXLP   | 3.0              | 6.5                  | 13.0   | 6.2  | 4.7 | 3.0 | 2.7 | 2.3 | 1.8 | 1.3 | 0.7 | 88 |                 |
| PVP 50 MDXLP   | 3.0              | 8.6                  | 16.1   | 7.7  | 5.8 | 3.7 | 3.3 | 2.8 | 2.2 | 1.5 | 0.8 | 88 |                 |

Evacuation rates (ms/l = s/m<sup>3</sup>) at different levels of vacuums (-KPa) at optimal supply pressure



| Generator item | Supp. press. bar | Air consumption NI/s | Evacuation rates (ms/l = s/m <sup>3</sup> ) at different levels of vacuums (-KPa) at optimal supply pressure |      |      |       |       |       |       |        |      |    | Max vacuum -KPa |
|----------------|------------------|----------------------|--|------|------|-------|-------|-------|-------|--------|------|----|-----------------|
|                |                  |                      | 10   | 20   | 30   | 40    | 50    | 60    | 70    | 80     | 85   |    |                 |
| PVP 25 MDX     | 6.0              | 3.2                  | 7.5  | 18.8 | 41.3 | 99.3  | 177.7 | 271.9 | 451.4 | 781.0  | 2874 | 90 |                 |
| PVP 35 MDX     | 6.0              | 4.8                  | 5.6  | 14.1 | 31.2 | 74.9  | 134.0 | 205.1 | 340.5 | 589.1  | 2618 | 90 |                 |
| PVP 50 MDX     | 6.0              | 6.5                  | 4.7  | 11.9 | 26.2 | 62.8  | 112.4 | 172.0 | 285.5 | 494.0  | 1818 | 90 |                 |
| PVP 25 MDXLP   | 3.0              | 4.4                  | 13.0   | 33.3 | 67.2 | 134.4 | 238.0 | 376.0 | 564.0 | 1128.0 | 4151 | 88 |                 |
| PVP 35 MDXLP   | 3.0              | 6.5                  | 9.8  | 25.2 | 50.9 | 101.9 | 180.3 | 284.9 | 427.3 | 854.7  | 3145 | 88 |                 |
| PVP 50 MDXLP   | 3.0              | 8.6                  | 7.9  | 20.3 | 41.0 | 82.0  | 145.3 | 229.5 | 344.3 | 688.5  | 2534 | 88 |                 |